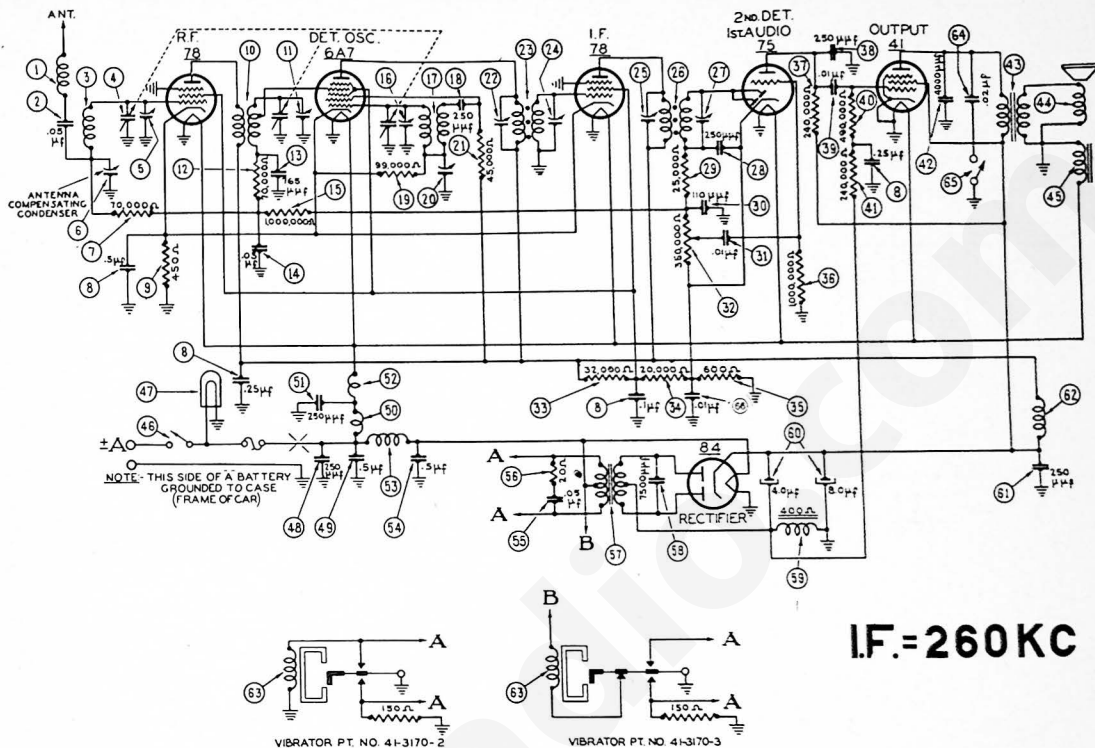


MODEL N-1514



I.F. = 260 KC

Aligning Procedure will be found on page 167.

MODEL N-1514 PARTS LIST

No.	Description	Part No.	No.	Description	Part No.
①	Antenna Choke	32-1956	④②	Field Coil	32-9236
②	Condenser (.05 mfd.)	30-4444	④③	On & Off Switch	42-5617
③	Antenna Transformer	32-2516	④④	Pilot Lamp	34-2040
④	Tuning Condenser	31-1930	④⑤	Condenser (250 mmfd.)	30-1032
⑤	First Padder (on Tun. Cond.)		④⑥	Condenser (.5 mfd.)	30-4015
⑥	Antenna Compensator	31-6082	④⑦	"A" Choke	32-1604
⑦	Resistor (70,000 ohms)	33-370344	④⑧	Condenser (250 mmfd.)	30-1032
⑧	Condenser		④⑨	Filament Choke	32-2039
⑨	(.01-.1-.25-.25-.5 mfd.)	30-4511	④⑩	Vibrator Choke	32-2535
⑩	Resistor (45,000 ohms)	33-1218	④⑪	Condenser (.5 mfd.)	30-4015
⑪	R. F. Transformer	32-2307	④⑫	Condenser (.05 mfd.)	30-4444
⑫	Second Padder (on Tun. Cond.)		④⑬	Resistor (20 ohms)	33-020344
⑬	Resistor (70,000 ohms)	33-370344	④⑭	Power Transformer	32-7550
⑭	Condenser (.765 mmfd.)	30-1069	④⑮	Condenser (.7,500 mmfd.)	30-4420
⑮	Condenser (.3615 mfd.)	33-1515-05G	④⑯	Filter Choke	32-7545
⑯	Resistor (1,000,000 ohms)	33-510344	④⑰	Filter Condenser (4-S mfd.)	30-2150
⑰	Third Padder (on Tun. Cond.)		④⑱	Condenser (250 mmfd.)	30-1032
⑱	Oscillator Transformer	32-2308	④⑲	"B" Choke	32-1281
⑲	Condenser (250 mmfd.)	30-1032	④	Vibrator (OPTIONAL)	41-3170-2
⑳	Resistor (99,000 ohms)	33-399344	④②	Condenser (.02 mfd.)	30-4419
㉑	Low Frequency Padder	31-6102	④③	Tone Control Switch	42-1145-2
㉒	Resistor (45,000 ohms)	33-345344	④④	Condenser (.01 mfd.)	3903-08G
㉓	Padder (Pri. 1st I. F. Trans.)		④⑤	Receiver Housing	33-9250
㉔	First I. F. Transformer	32-2026	④⑥	Four Prong Socket	27-6044
㉕	Padder (Sec. 1st I. F. Trans.)		④⑦	Five Prong Socket	27-6035
㉖	Padder (Pri. 2nd I. F. Trans.)		④⑧	Six Prong Socket	27-6036
㉗	Second I. F. Transformer	32-2027	④⑨	Seven Prong Socket	27-6037
㉘	Padder (Sec. 2nd I. F. Trans.)		④⑩	Tuning Control Shaft	28-8815
㉙	Condenser (250 mmfd.)	30-1032	④⑪	Volume Control Shaft	28-8816
㉚	Resistor (25,000 ohms)	33-325344	④⑫	Tone Control Shaft	28-8817
㉛	Condenser (110 mfd.)	30-1031	④⑬	Tuning & Volume Knob	27-4690
㉜	Condenser (.01 mfd.)	33-3903-08U	④⑭	Knob	27-4639
㉝	Volume Control		④⑮	Knob Base	28-4184
㉞	(350,000 ohms)	33-51339	④⑯	Gland Nut	28-8558
㉟	Resistor (32,000 ohms)	33-332434	④⑰	Scale Assembly	42-5792
㊱	Resistor (20,000 ohms)	33-320344	④⑱	Fuse	7297
㊲	Resistor (600 ohms)	33-1212	④	Fuse Insulator	27-7729
㊳	Resistor (1,000,000 ohms)	33-510344	④⑲	Tee Bolt (Rec. Mtg.)	
㊴	Resistor (240,000 ohms)	33-424344	④⑳	Side	28-6161
㊵	Condenser (250 mmfd.)	30-1032	④㉑	Bottom	28-6988
㊶	Condenser (.01 mfd.)	33-3903-08U	④㉒	Nut (Rec. Mtg.)	W318
㊷	Resistor (400,000 ohms)	33-449344	④㉓	Distributor Resistor	33-1196
㊸	Resistor (240,000 ohms)	33-424344	④㉔	Interference Condenser	30-4007
㊹	Condenser (4,000 mmfd.)	30-4185	④㉕	Interference Condenser	30-4037
㊺	Output Transformer	32-7495	④㉖	Interference Condenser	30-4663
㊻	Cone & Voice Coil	36-8588			

